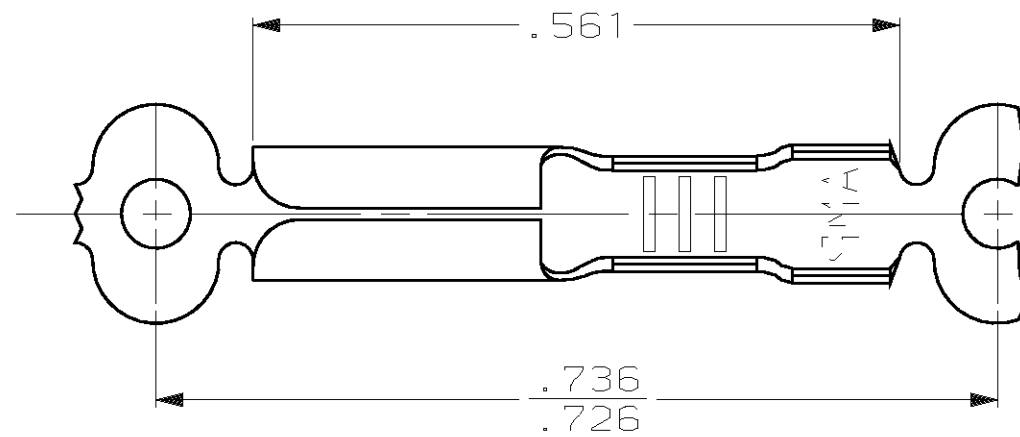


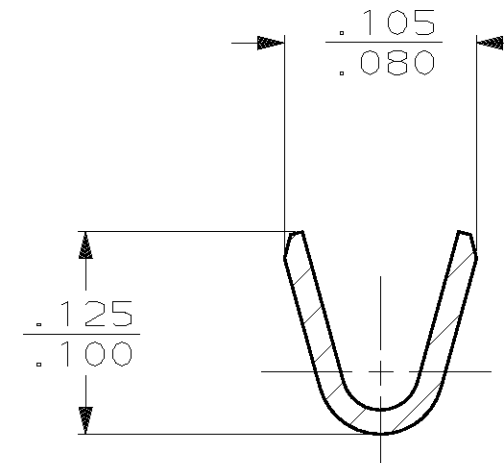
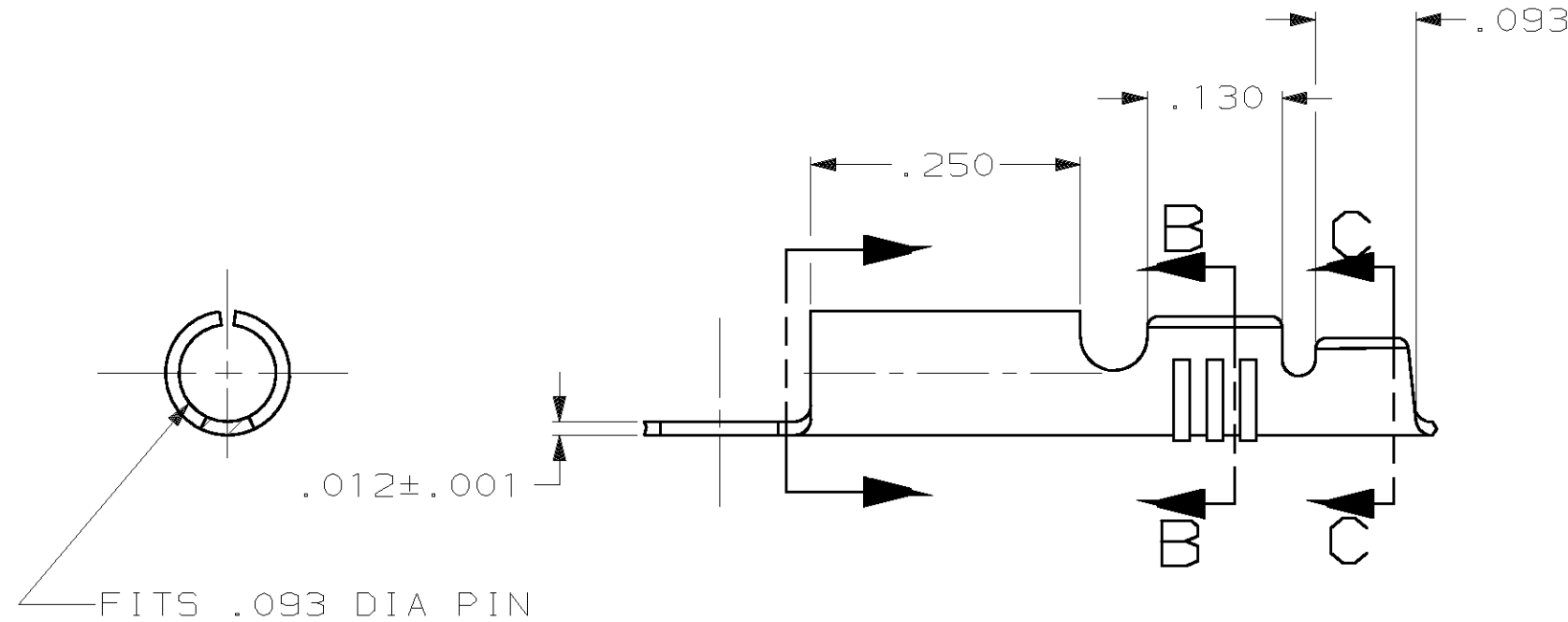
THIS DRAWING IS UNPUBLISHED. RELEASED FOR PUBLICATION, 19
 © COPYRIGHT 19 BY AMP INCORPORATED. ALL INTERNATIONAL RIGHTS RESERVED.

LOC	DIST	P	F	REVISIONS				
AF	50			ZONE	LTR	DESCRIPTION	DATE	APPD
					L	REL PER 063A-0622-01	19NOV01	JR/DD

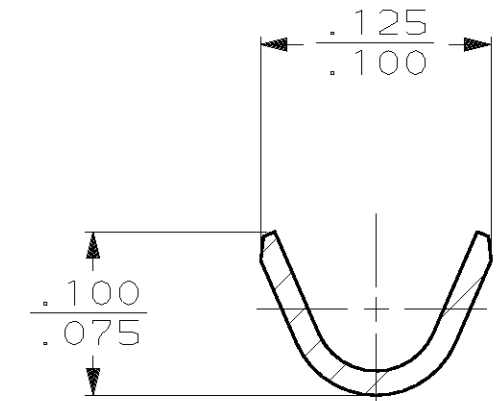


- 1 CONTINUOUS STRIP ON REELS.
- 2 WIRE SIZE IS #24-18 AWG
- 3 INSULATION RANGE IS .045-.085 DIA.

- △5 WITH INTERLEAVING PAPER
- △6 PREPRODUCTION - FASR REQ.



SECTION B-B
SCALE 10:1



SECTION C-C
SCALE 10:1

.000080 MIN TIN PLATE	H04 BRASS	△5△6 42827-5
-	1/4 HD SST	42827-4
.000080 MIN TIN PLATE	H04 BRASS	42827-2
FINISH	MATERIAL	PART NO
DO NOT SCALE PRINT. UNLESS SPECIFIED. DIMENSIONS IN INCHES. TOLERANCES ON: 2 PLC DEC ± - 3 PLC DEC ± .015 ANGLES ± -	DR 4/18/91 P FORTNEY CHK 4/18/91 JR RUTH APPD 4/29/91 G YETTER APPD 4/29/91 R WEAVILL PRODUCT SPEC - APPLICATION SPEC - WEIGHT -	AMP AMP Incorporated Harrisburg, PA 17105-3608 NAME RECEPTACLE, PIN, .093 DIA SIZE B CAGE CODE 00779 DRAWING NO 42827 SCALE 6:1 SHEET 1 OF 1
SEE TABLE		
SEE TABLE		